

INFORMATION AND SAFTY WARNINGS :

1.1 Introduction:

This user manual will guide you through the functions and usages of our MLSJ8015 Bluetooth enabled smart lock. It is important that you follow the instructions and regard all notes that appear throughout this manual. Consult this manual before you attempt to use the lock. If you have questions not answered by this manual or are in need of non-routine service, contact our customer service (Phone Number)

1.2 Safety Warnings:



When reading this manual, note these icons: notes with this icon MUST be read, understood and obeyed to prevent injury or damage.



General Usage:

- This lock shall only be used as described in this manual.
- Verify that all parts of the lock are account for. If any parts are missing, contact our customer service.
- In factory default status, the lock is on always open state after you install the lock (no power on). It means handle is free and lock can't be closed, you have to power on the lock with batteries or set admin and pair the lock with app and then the open mode will be changed to private mode automatically.
- Handle directions are reversible, please kindly follow chapter 4 (installation steps3) to change the direction. Should you have any problem, please contact our customer service.
- There is a protective film on the front touch panel, if there are some scratches on the film, don't be scared. The protective film can be removed if you need.
- Use only four AA batteries. Do not mix old and new batteries or batteries from different brands. Never insert objects into the lock other than batteries as described in this manual.
- Verify all surfaces are flat and level before beginning installation, installation on doors or surface with any types of deformity such as gaps or warping may cause the lock to malfunction or fail to operate entirely.
- Never apply any cleaner directly to any part of the lock. Only use clean water and mild cleaner on a soft non-abrasive cloth when cleaning.
- Potential shock warning: do not allow water or liquids to get into lock's electric parts.
- The lock must be used with TT lock app. The lock will function without the app but full functionality may only be achieved when the app is used.



IC Card



Passcode



Key



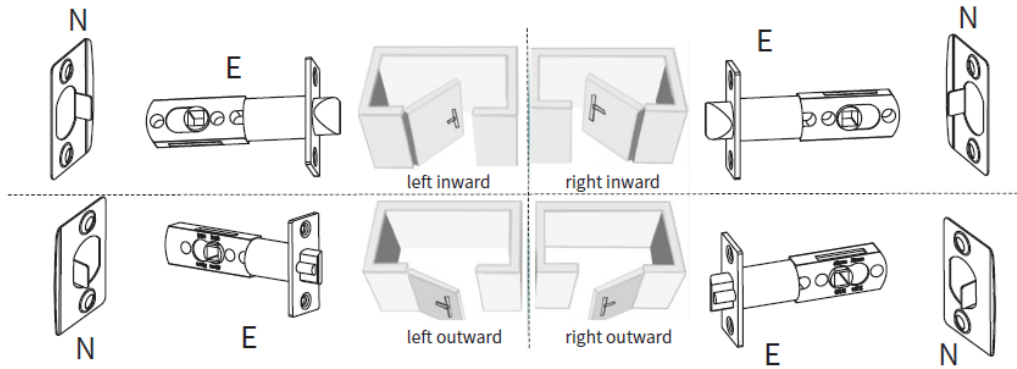
APP



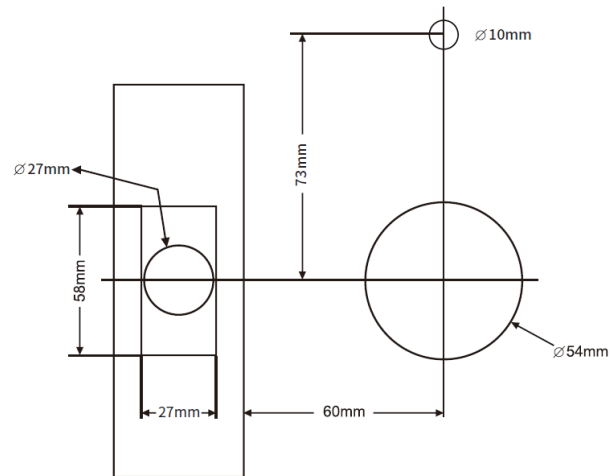
Wristband

Door Preparation

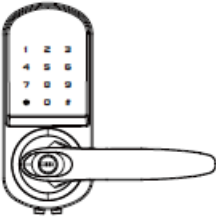
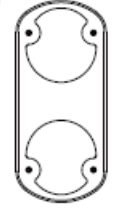

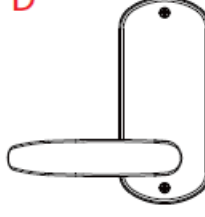
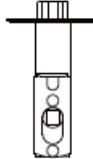






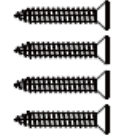



1. Check door thickness and Door Frame.
Door frame $\geq 110\text{mm}$
Door thickness: 38-50mm
2. Check door open direction.

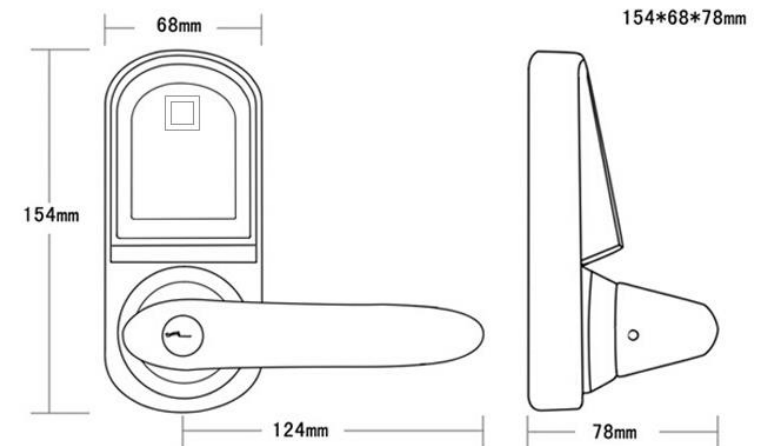


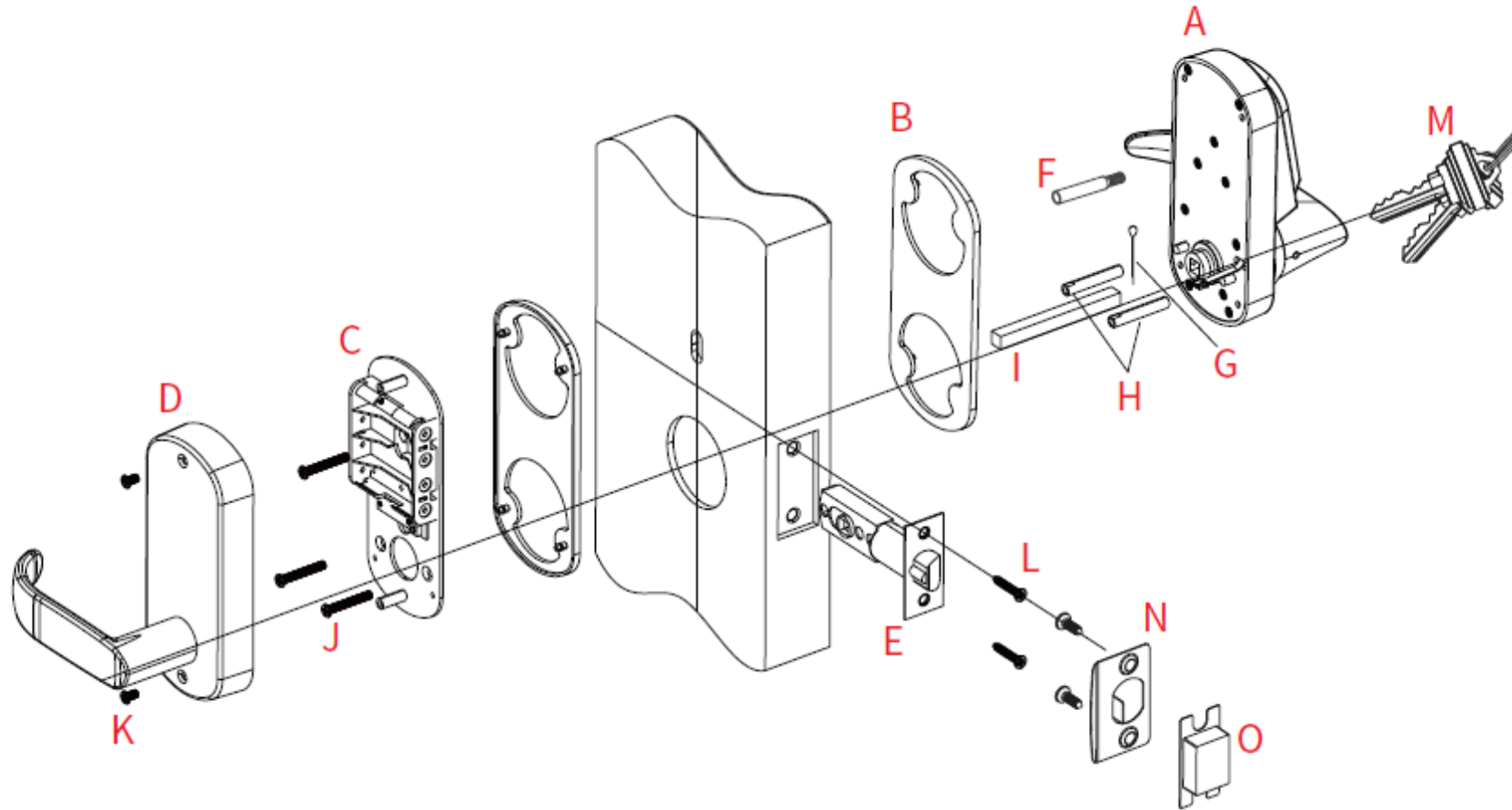
1. Door drill hole map



Packing List

A		B		C		D		E		F	 40mm				
G		H	 35mm	I	 80mm	J	 30mm	K	 8mm	L	 25mm	M		N	
												O			





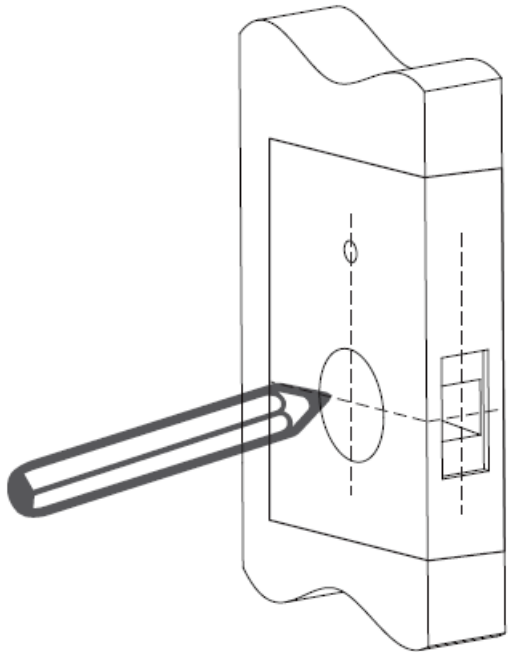
- A) Outdoor lock body * 1
- B) Silicone gasket * 2
- C) Mounting plate * 1
- D) Indoor lock body * 1
- E) Single latch * 1
- F) Cylindrical sleeve bolt * 1
- G) Fixed pin for square spindle * 1

- H) Cylindrical sleeve female bolt * 2
- I) 80mm length Square spindle * 1
- J) M4 x 30mm cross flat head bolt * 3
- K) M4 x 8mm cross flat head bolt * 2
- L) M4 x 25mm cross flat head self-tapping screw * 4
- M) Mechanical key * 2
- N) Strike plate * 1
- O) Latch holding plastic box * 1

Installation Diagram

Step 1

According to the map drilling holes on the door.

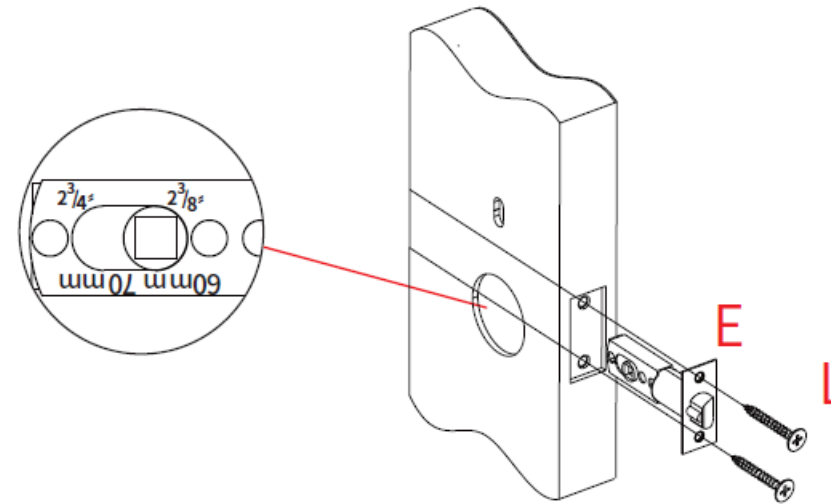


Note:

- 1) Check the required backset (60mm or 70mm).
- 2) Align the template along the vertical center line of the deadbolt(E) at the desired height, and tape it to the door.
- 3) Mark the holes first, then start drilling.

Step 2

Install the deadbolt (E).

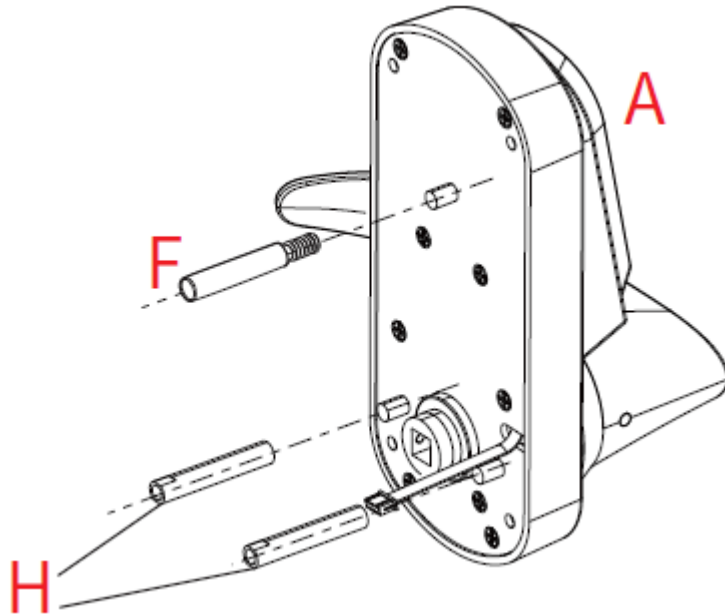


Note: The single latch has TWO backset options: 60mm or 70mm, please adjust it by yourself.

Installation Diagram

Step 3

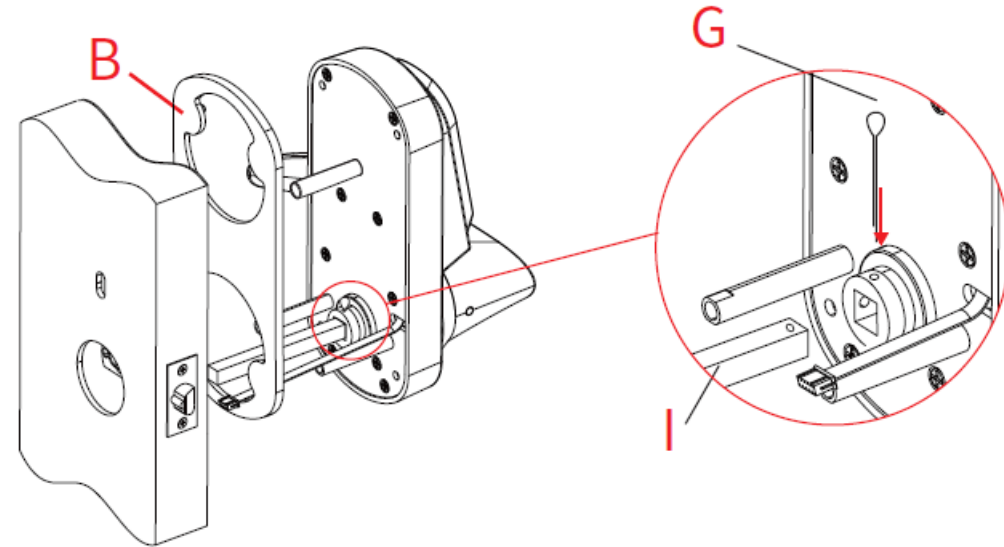
Install outdoor unit(A) with F & H.



Note: Cylindrical sleeve bolt F is not a must if your door doesn't have a hole for it.

Step 4

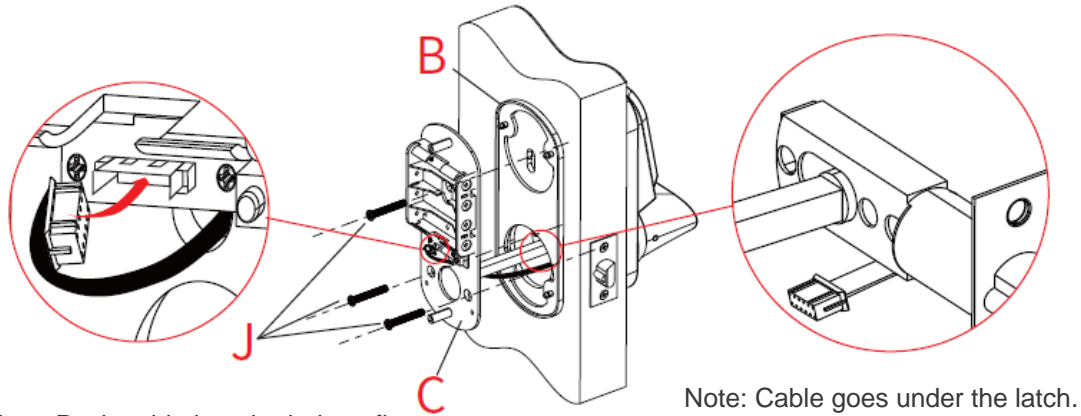
Install outdoor unit with gasket(B) & spindle(I) on the door, Pin(G) is for fixing spindle(I).



Installation Diagram

Step 5

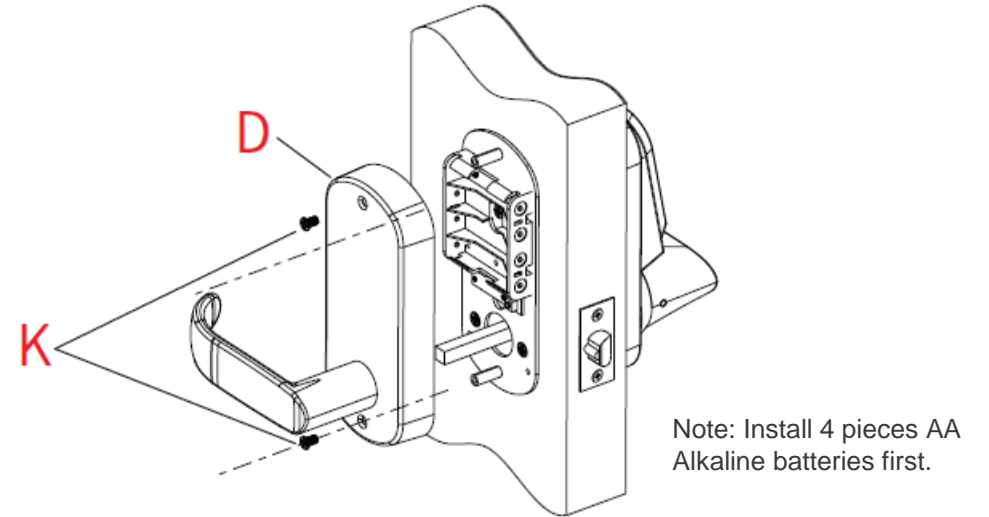
Install mounting plate (C) with gasket(B) on the door.



Note: Push cable into the hole at first.

Step 6

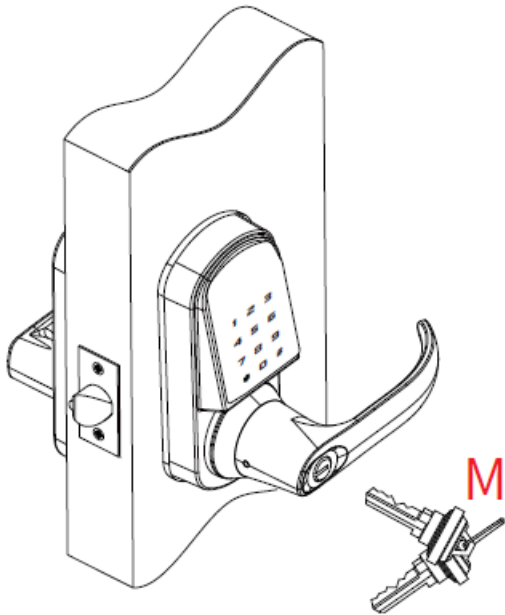
Install indoor unit(D) on the door.



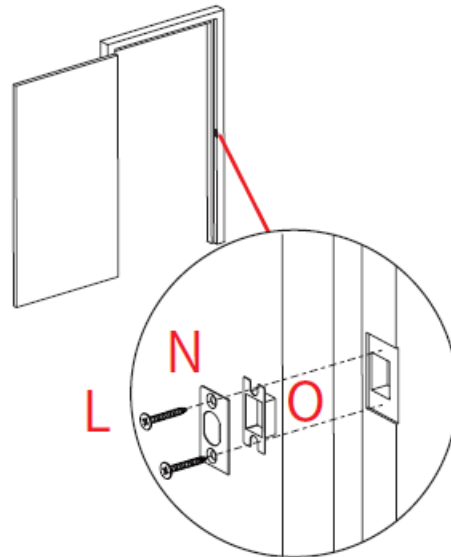
Installation Diagram

Step 7

Testing the lock by rotating back handle and using key(M).



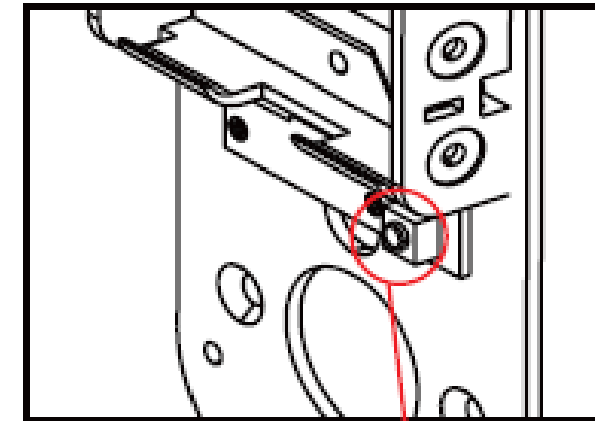
Note: When the door is locked, the clutch is in idle position, the front handle will be turned. However, the door will remain locked.



Notes Mark and drill holes for strike.

System Reset

The reset button is on the backside of back panel, right behind the number 4 on the touchpad. Keep pressing the reset button with a piece of long and thin needle for over 5 seconds, your smart lock system will be restored to factory default settings and delete all smartphones and fobs from the memory.



reset button