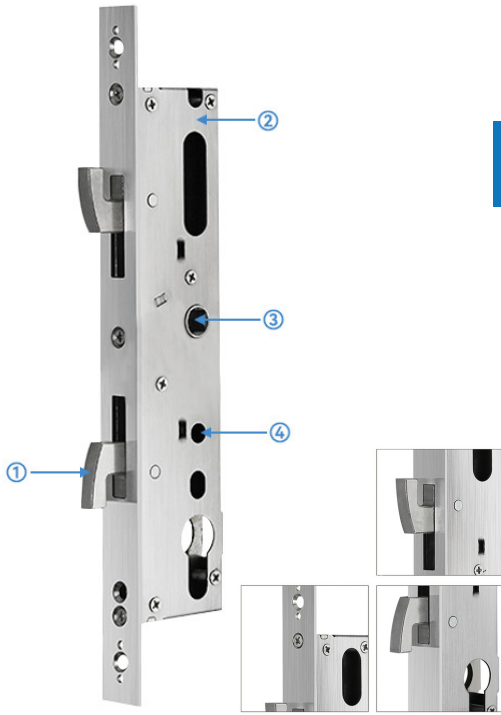


## Detailed Description



1. Hook Bore: SS304
2. Material: 1.5mm thick SS304 steel
3. Spindle hole: 8mm
4. Cycle test: 500,000
5. Finishes: SSS



- ### EURO HOOK MORTISE
- Designed for Business or Residential Suitable lock ML-A210, ML-A231, ML-A236
  - Meets ANSI / BHMA standards for more than 500,000 cycle tests.
  - Pass BHMA Level 2 and Level 3
  - All stainless steel body and latching tongues.
  - Using standard European style gourd lock cylinders.
  - Dead latching with durable hook style mortise lock
  - Lift up and revers lock capability's.

### EURO HOOK MORTISE

This McGrath Locks narrow case hook latch is designed to work with the sliding or bifold doors. It is compatible with the Slimline ML-A210, ML-A231 and ML-A236. Available in two sizes, 28mm & 35mm back set.

<p><b>ML-SP-H-28/85-HOOK</b></p> <p>Dimensions: Lock case: 208mm x 42mm Faceplate: 300mm x 22mm Lock centres: 85mm Back set: 28mm</p>	<p><b>ML-SP-H-35/85-HOOK</b></p> <p>Dimensions: Lock case: 208mm x 46mm Faceplate: 300mm x 22mm Lock centres: 85mm Back set: 35mm</p>
---	---

### EURO HOOK MORTISE


**Part Number**

- ML-SP-H-28/85-HOOK
- ML-SP-H-35/85-HOOK

---

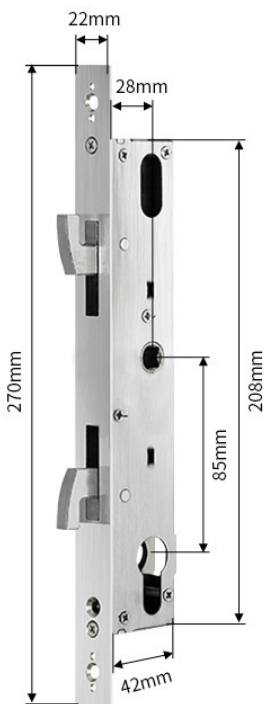
**Accessories:**

- Striking plate
- Strike plate pocket
- Fixing screws

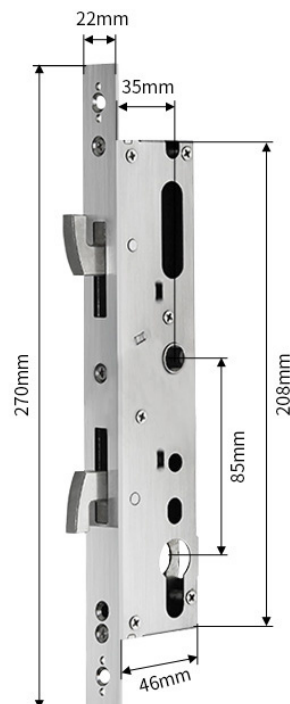


## Dimensions

ML-SP-H-28/85-HOOK



ML-SP-H-35/85-HOOK



**McGrath Locks**  
Making Access Easier

McGrath Digital Locks adopt the latest automatic technology to unlock and lock automatically without hands. If you connect your smart lock to the WiFi network via a gateway, your able to control your locks from anywhere in the world at anytime.

McGrath Locks now offers a range of residential locks, decoders and RFID cards. These elegant, streamlined stainless steel designs will ensure ease of access and top security for your properties. Constructed using the finest materials to incorporate the maximum standards in durability, quality and design.