



ASCOT Double-Sided Smart Gate Lock

Suited to gates or doors that require to be locked from both sides, the ASCOT has high-level water & dust resistance for external use.



Australian Registered
Design No. 202215177

mcgrathlocks.com.au



Access Just Got Smarter

The ASCOT by McGrath Smart Locks is a double-sided smart gate lock designed for modern homes and businesses. A great addition to the home, office, or commercial space, this 4-in-1 smart lock is specifically designed for external applications such as gates, where both sides need to be independently locked. It provides versatile and convenient access, allowing you to easily manage who has access to your property.

Utilising the powerful McGrath Locks App, lock and user settings are easily configured and managed. Access can be provided to family and visitors alike through PIN code, RFID credential, eKeys managed via BLE and mechanical key override. The ASCOT can be connected to a gateway giving you the ability to unlock your door from anywhere in the world using the McGrath Locks App.

The ASCOT has an IP66 rating on both handles which makes it ideal for external applications where a robust solution is required. The lock is supplied with a tubular latch but can also be installed with a mortice lock should the need arise.



Bluetooth



PIN Code Unlock



RFID Unlock



Key Override



Wi-Fi (Gateway required)

Features



Works with the McGrath Locks App

Provides the ability to manage all lock settings and users including eKeys, PIN code, RFID card/fobs.



Types of access

- Bluetooth (when operated with McGrath Locks App)
- PIN code (Permanent, timed, one-time, custom, recurring)
- RFID (Permanent, timed, recurring)
- eKeys (Timed, permanent, one-time, recurring)
- Mechanical key override
- Wi-Fi (Remote unlock through McGrath Locks App with installation of additional Gateway accessory)



Simple installation

ASCOT can retro fit in an existing 2 1/8" hole or just as easily be fresh fitted. With no need for hard wiring it offers great flexibility for external installations.



Trade-grade smart lock



Includes 4 keys (Keyed alike)

Both sides are locked so that entry cannot be gained by reaching through or jumping over a gate.



Water, dust and salt spray resistance

- IP66 withstands rain and powerful water jets
- Tempered glass screen
- 300 hour salt spray tested for black finish
- 96 hour salt spray tested for satin chrome finish



Battery life

12 months (based on 10 uses per day)

Technical specifications

Hardware

Colour	Satin chrome, black
Type	Gates, timber door, aluminium door
Door thickness	1 3/8" to 2 3/16"
Durability test	300,000 cycles
Material	Aluminium alloy, tempered glass screen
Spindle size	5/16"
Lock case dimensions	2 15/16"

Enrolment and Verification

Unlocking method	PIN code, RFID credential (Mifare), Bluetooth, WIFI (Gateway required), mechanical key
Support system	Android - 4.3 /IOS 7.0 and above
Platforms	TTLock, TTHotel
App	McGrath Locks
Communication mode	Bluetooth 5.0 BLE and above

Lock Features and Functions

Length of password	4-9 digits (Minimum of 4 digits available when set via app)
Passage mode	Yes
Bluetooth capacity (eKeys)	Unlimited
PIN code capacity	250 codes (Some exceptions may apply)
RFID capacity	1000 (Some exceptions may apply)
Emergency opening	Mechanical key override
Batteries	4 x AAA Alkaline batteries per handle (Not included)
Stand-by power consumption	<30mA
Lock type	Tubular latch
Unlock time	1.5s
Motor working current	Less than 200mA
Card working frequency	13.56MHz
Battery life	12 months (Based on 10 uses per day)
Battery voltage	4.5V-8V
Low battery warning voltage	Lower than 4.8V

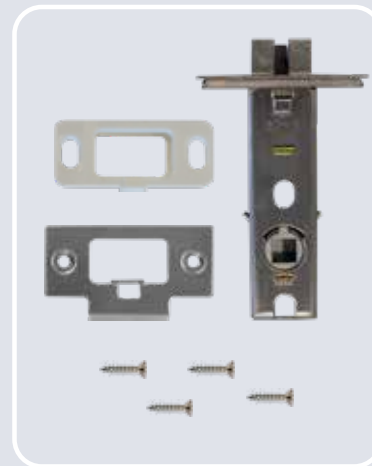
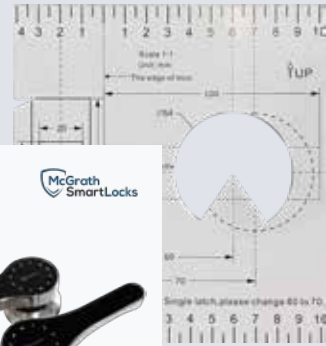
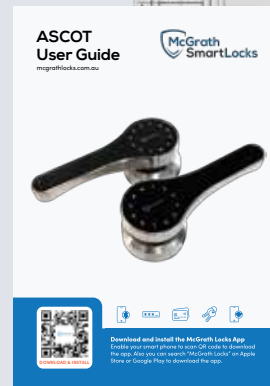
Operating Environment

Environment	-4°F to 158°F
Humidity	0% - 80% RH
IP class	IP66

Warranty **24 months**

Australian Registered Design No. 202215177

What's in the box

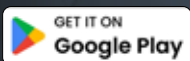




Made for Aussie Living, Aussie Style, Aussie Quality.

Access Just Got Smarter
with Aussie Designed Solutions

McGrath Smart Locks
Australia
mcgrathlocks.com.au



SCAN TO DOWNLOAD THE APP