

Smart KEYSAFE User Manual

www.mcgrathsmartlocks.com.au



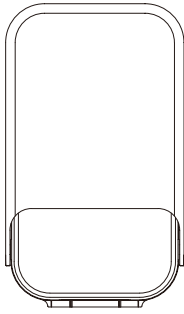
McGrathlocks APP INSTALLATION REQUIRED

Enable your smart phone to scan QR code to download the APP.
Also you can search "McGrathlocks" on APP store or Google play to download the APP.

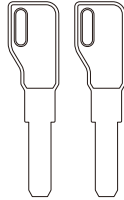
Contents

Please ensure you have the listed accessories below in the box.

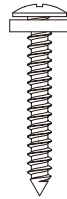
www.mcgrathsmartlocks.com.au



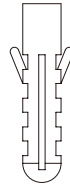
A.
1 piece
KEYSAFE



B.
2 pieces
Mechanical key



C.
4 pieces
(D4x30mm)
Wood screw



D.
4 pieces
(D6x30mm)
Wall plug



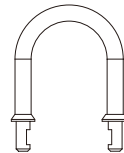
E.
2 pieces
RFID Fob



F.
1 piece
Manual



G.
1 piece
(Type C)
USB cable

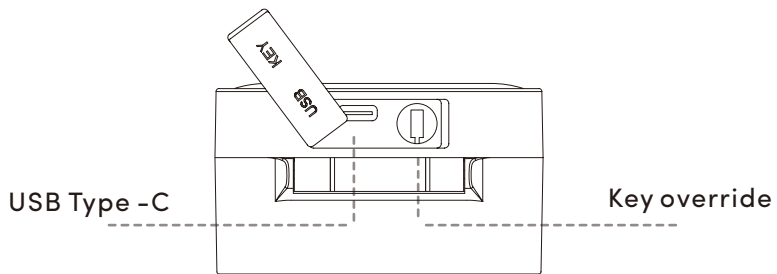
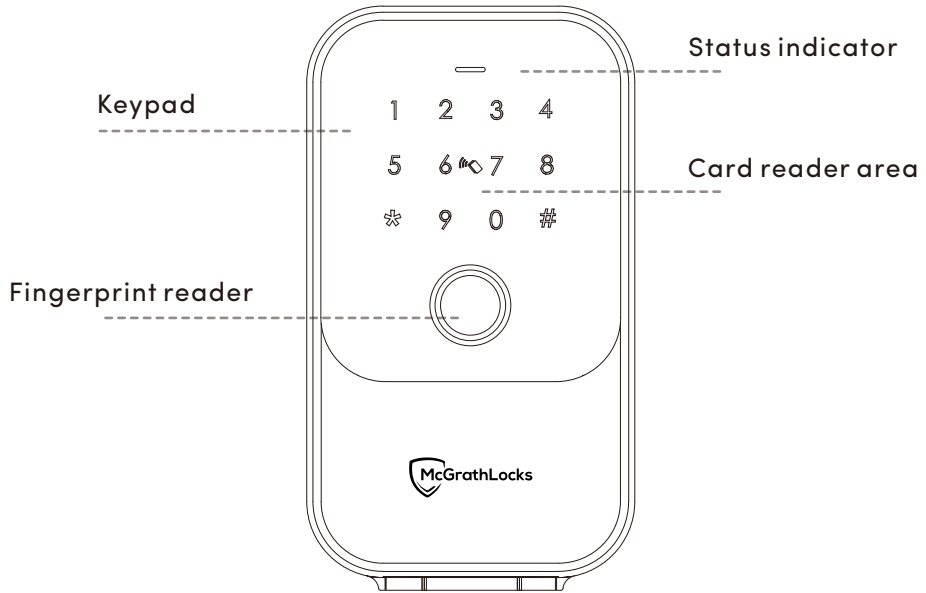


H.
1 piece
Shackle

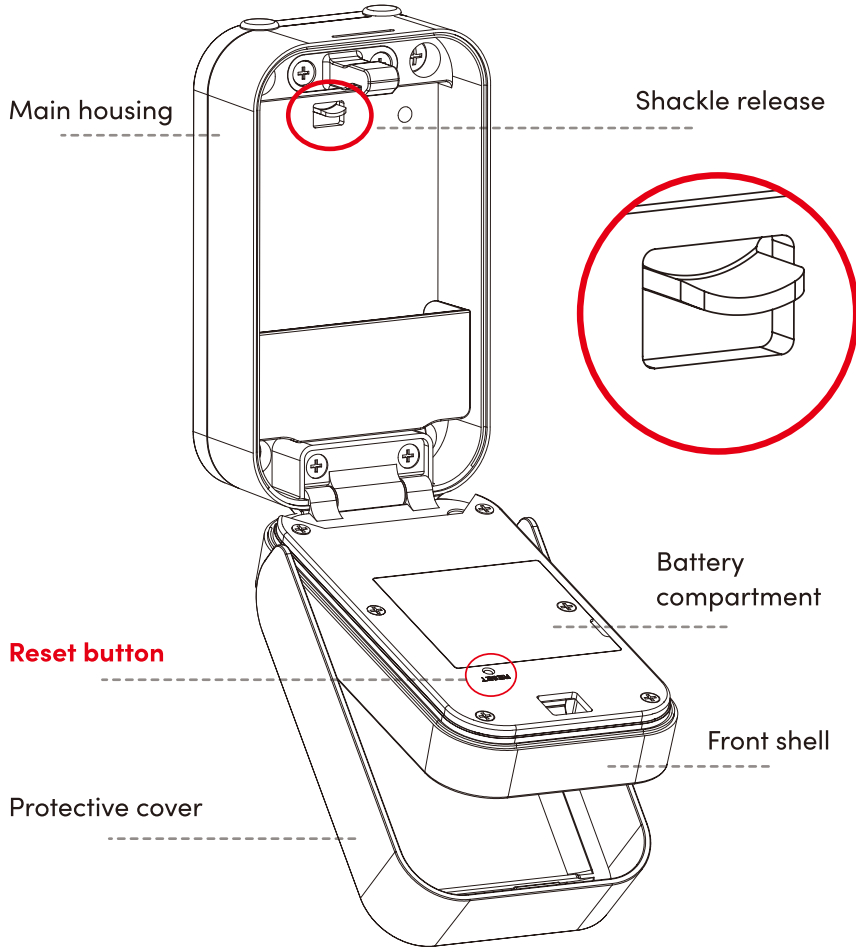
www.mcgrathsmartlocks.com.au

Product specification

FRONT



INSIDE



Technical Specifications

Main material	Aluminum alloy, zinc alloy, tempered glass
Colour	Black
Installation type	Wall mount or hang by using shackle
Communication	BLE 5.0
Support system	iOS 7.0 or above, Android 4.3 or above
Battery life	12 months (Based on 10 uses per day)
Power supply	4 pieces of AAA alkaline batteries (not included)
Static current	<80uA
Dynamic current	<200mA
Unlocking method	App, PIN code, RFID card, Fingerprint, Key override
Unlock time	1~1.5 seconds
Environment	-20°~55° C
Working humidity	20%~95%
Default pin code	Factory master pin code: 123456, Pin code is disabled after new pin set
IP Rating	IP65
User capacity	Fingerprint: 100; pin code: 250 and RFID card: 1000

1. Installation steps

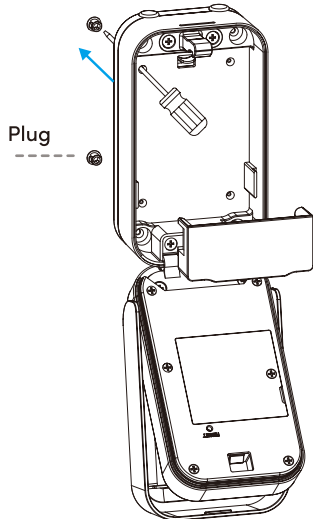
1.1 Wall mount

Select a suitable height from the ground.

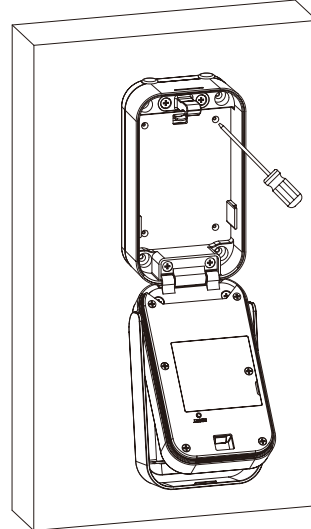
1.1.1 Wall mount

(Brick wall)

1. Remove rubber plugs

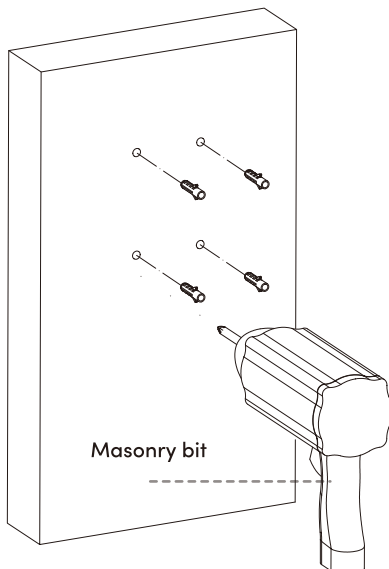


2. Use KEYSAFE as template

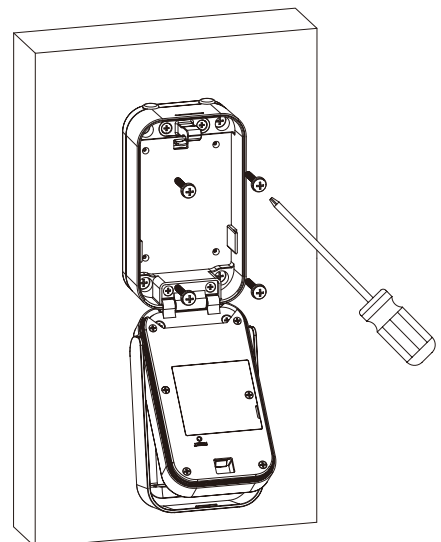


3. Drill hole & install wall plugs

Drilling depth: (D6x40mm)

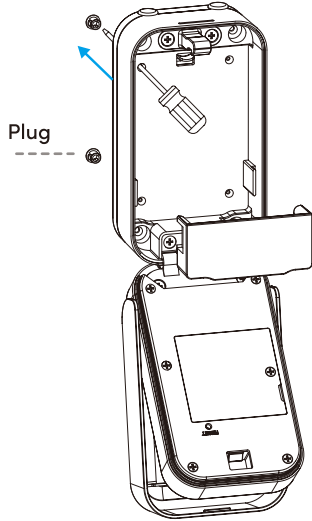


4. Install screws

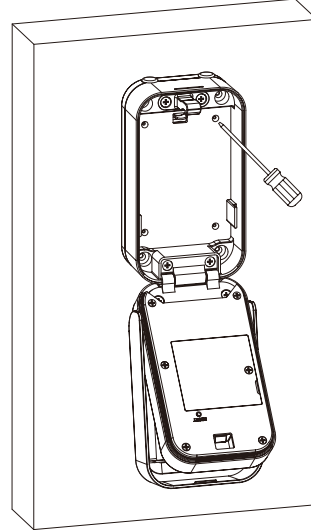


1.1. 2 Wall mount (Timber)

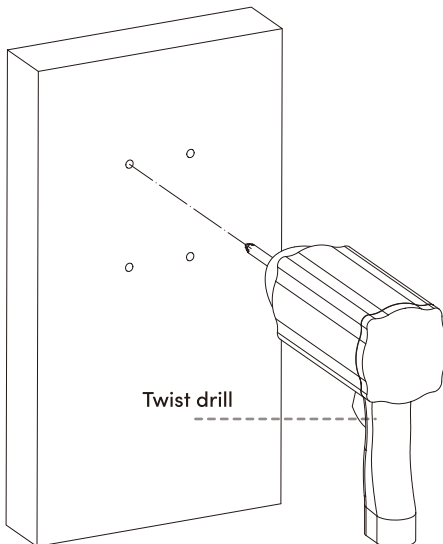
1. Remove rubber plugs



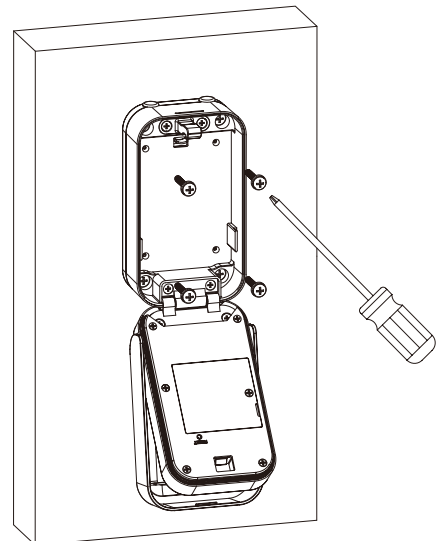
2. Use KEYSAFE as template



3. Drill hole
Drilling hole (D2x40mm)

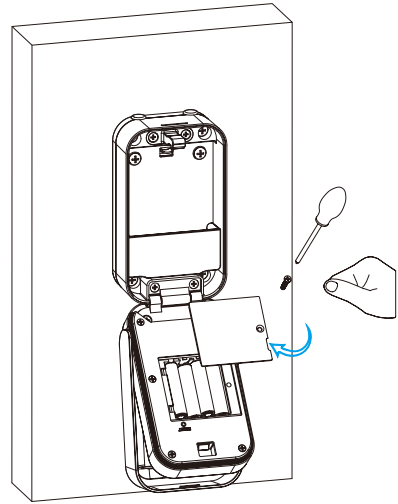


4. Install screws



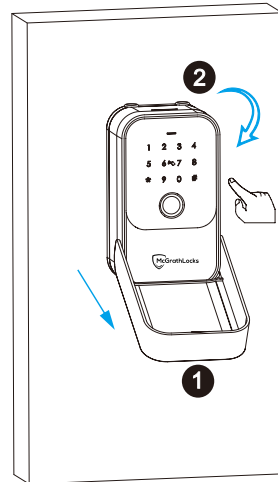
1.1. 3 Battery installation

Insert 4pcs AAA alkaline batteries and fix the battery box cover



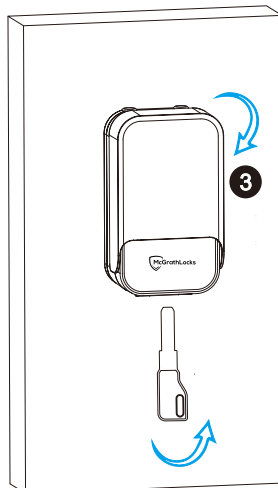
1.1. 4 Operation test

Lower the protective cover. Test fingerprint or pin code to unlock the KEYSAFE.



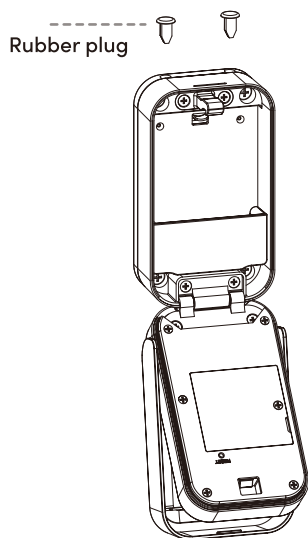
1.1. 5 Key override test

Insert key and test override operation. Do not store the keys in the KEYSAFE.



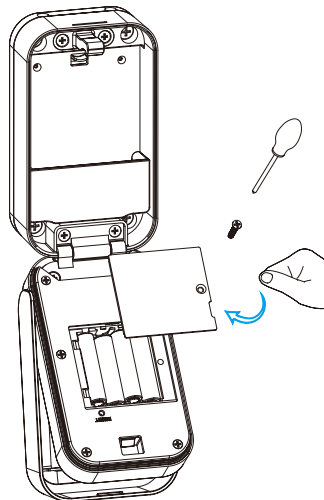
1.2 Hanging KEYSAFE

1.2.1 Unplug



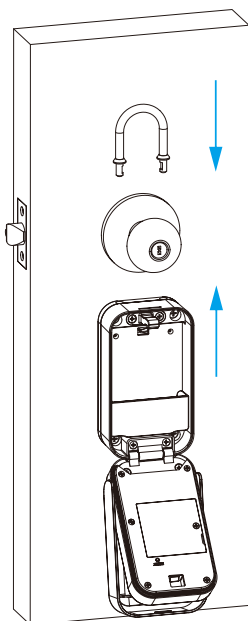
1.2.2 Battery installation

Insert 4pcs AAA alkaline batteries and fix the battery box cover.



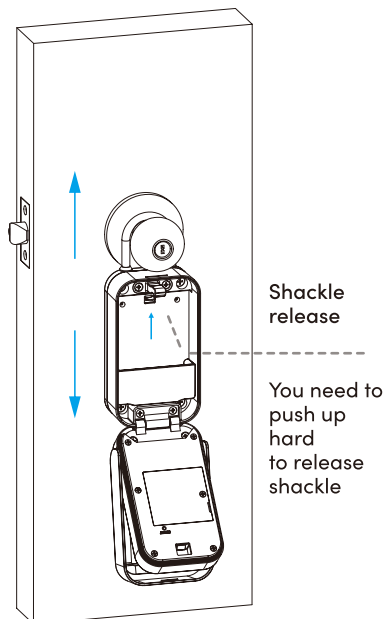
1.2.3 Shackle locking - knob

Connect the shackle and KEYSAFE in the direction of the arrow.



1.2.4 Shackle unlock - knob

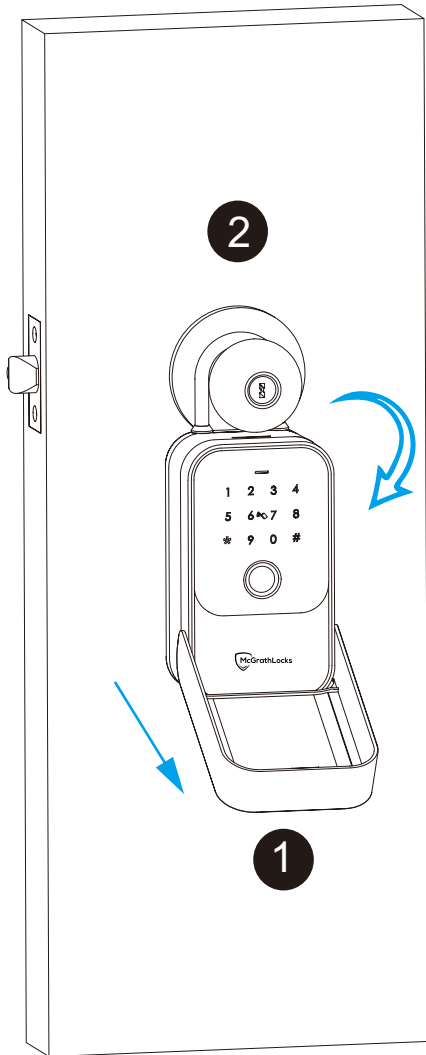
Push the shackle release upward to detach the shackle from the KEYSAFE.



1.2. 5 Operation test

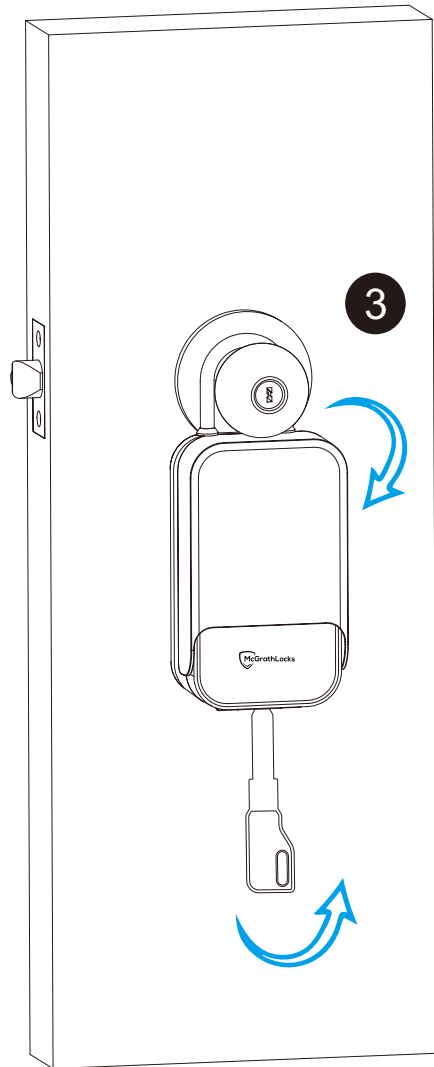
*Lower the protective cover.

Test fingerprint or pin code to unlock the KEYSAFE.



1.2. 6 Key override test- knob

Insert key and test override operation. Do not store the keys in the KEYSAFE.



2. Recommended: lock setup with app

It is highly recommended to set up the lock using the McGrathlocks app.

The app simplifies programming and provides an easier way to manage your locks.



DOWNLOAD & INSTALL

2.1 Register

Please register an account with your Email or mobile number.

A screenshot of the 'Register' app screen. At the top, there are two tabs: 'Email' (selected) and 'Phone'. Below the tabs is a dropdown menu for 'Your country/region'. The main form has three sections: 1. 'Enter your Email' with a text input field. 2. 'Password' with a text input field and a note: 'Your password must have 8-20 characters, and include a minimum of two types of numbers, letters and symbols'. 3. 'Confirm Password' with a text input field. At the bottom, there is a 'Verification Code' field with a 'Get Code' button. A large blue 'Register' button is at the bottom center. At the very bottom, there is a checkbox for 'I've read and agreed User Terms Privacy Policy'.

2.1.1 Sign up and register with mobile or Email

A screenshot of the 'Register' app screen, similar to the previous one. The 'Email' field is now filled with 'mcgrathlocks@isc.com.au'. The 'Password' and 'Confirm Password' fields are empty. The 'Verification Code' field now contains '295'. The blue 'Register' button is still present at the bottom.

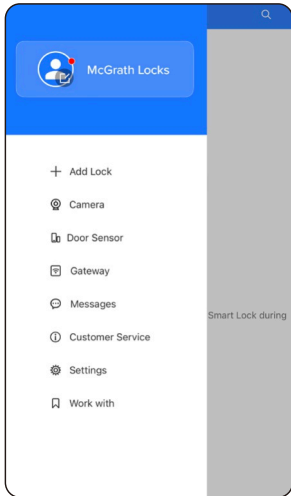
2.1.2 Enter mobile or Email Login with right password

A screenshot of the 'Reset Password' app screen. It has three text input fields: 'Current Password', 'New Password', and 'Confirm Password'. Below the 'Confirm Password' field is a note: 'Your password must have 8-20 characters, and include a minimum of two types of numbers, letters and symbols'. At the bottom, there is a grey 'Save' button and a blue link for 'Forgot Password?'.

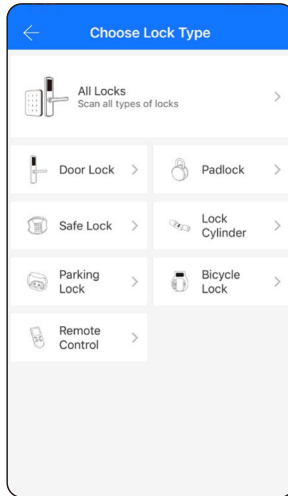
2.1.3 You can reset your password

2.2 Configure the lock

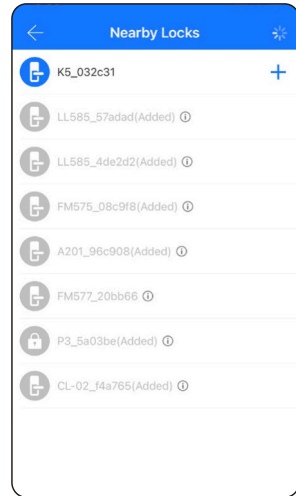
Please open the McGrathlocks App and click "Add Lock" on the leftside of screen setting and follow the steps to configure the lock:



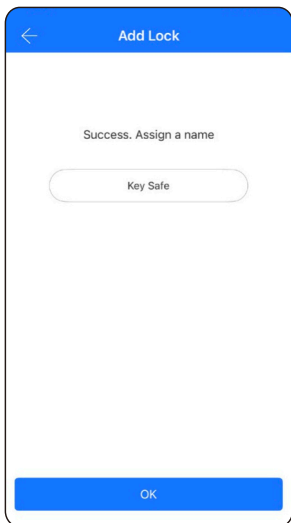
1. Add lock



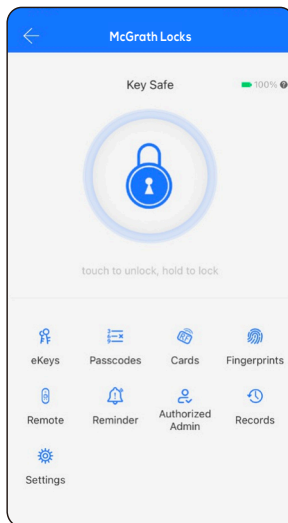
2. Click "All Locks"



3. Press+ choose first lock



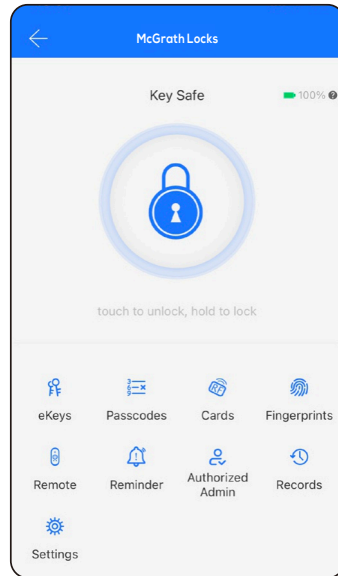
4. Add lock successfully
rename the lock



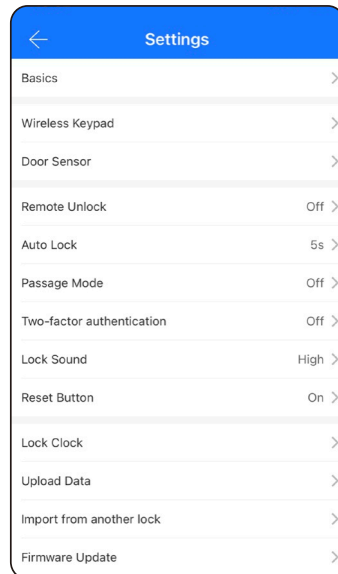
5. Done

2.3 Function description

In the KEYSAFE operations screen you will see features for the KEYSAFE such as eKeys, pin codes, Fingerprints, Cards and lock and unlock records etc.

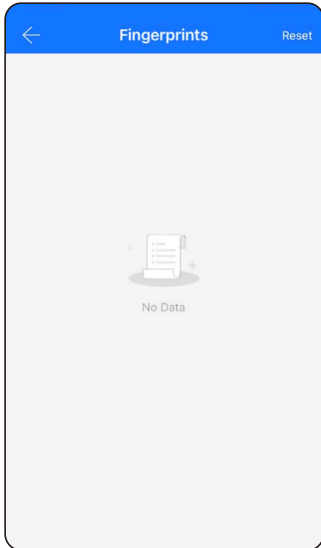


There are many features within the McGrath Locks APP. Configure the KEYSAFE to suit your requirements.

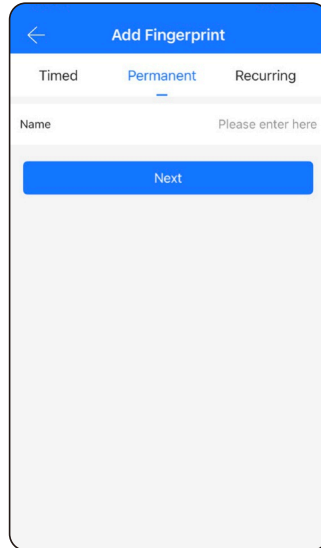


2.4 Enrol user fingerprint

Under the lock setting, you can click the **"Fingerprints"** and enrol the fingerprint. There is permanent/timed and recurring options depending on the access requirement.



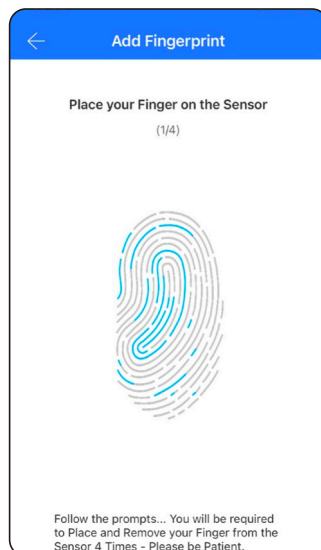
1. Add fingerprint



2. Choose permanent type



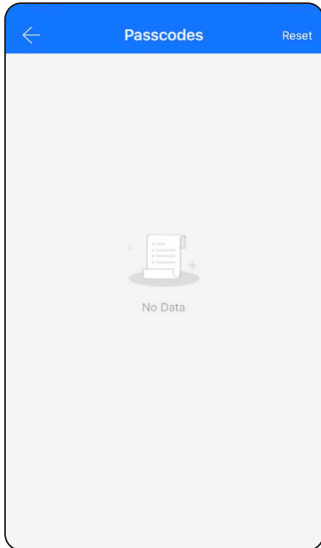
3. Click start



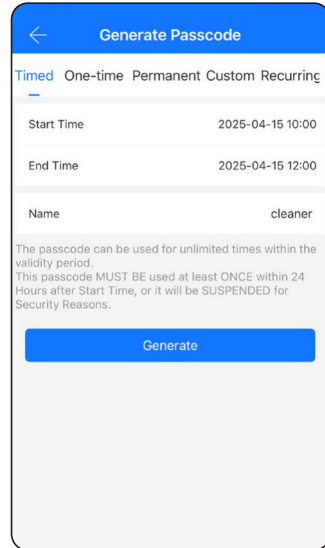
4. Press fingerprint 4 times

2.5 Enrol user pin code

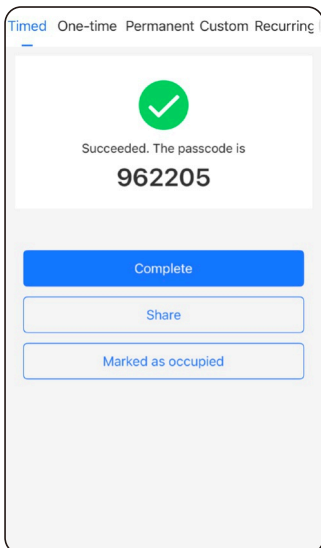
Under the lock setting, you can click the option “**Pin codes**” and enrol the pin codes. There is permanent /timed and recurring options depending on the access requirement.



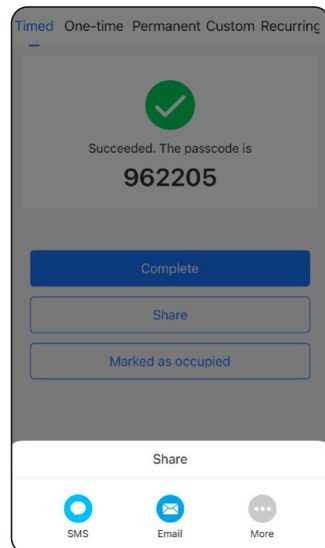
1. Add pin code



2. Choose timed type



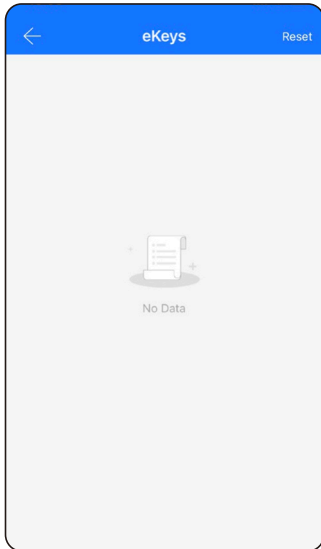
3. Generate pin code



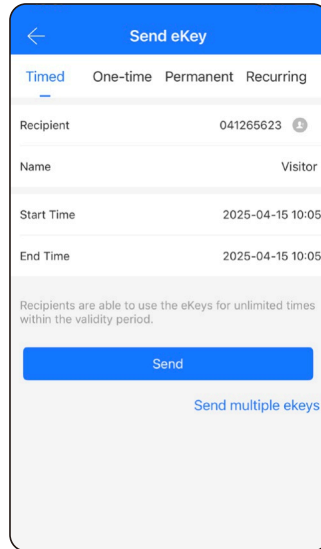
4. Share by SMS or Email

2.6 Enrol eKeys

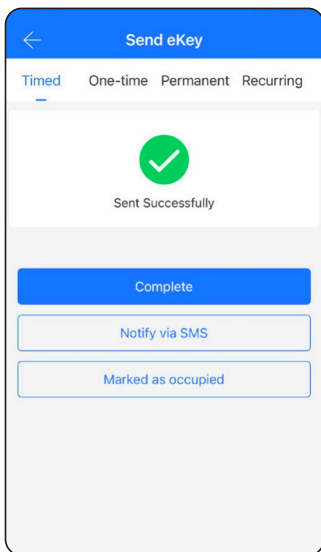
Under the lock setting, you can click the option **"eKeys"** and issue an eKey to other users. There is permanent /timed and recurring eKeys for different requirements.



1. Send eKey



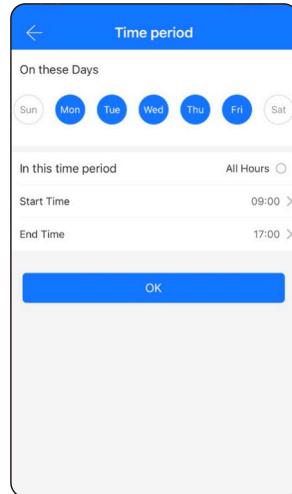
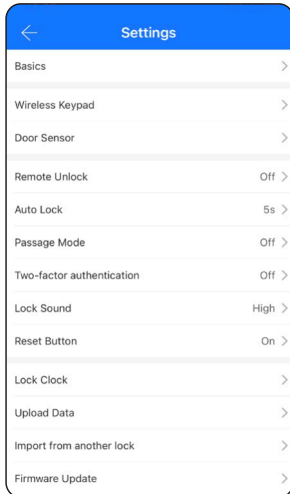
2. Choose timed type



3. Complete, you can share with SMS to recipient

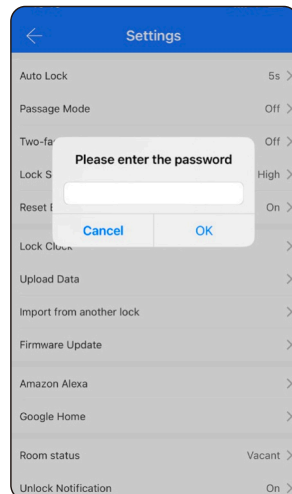
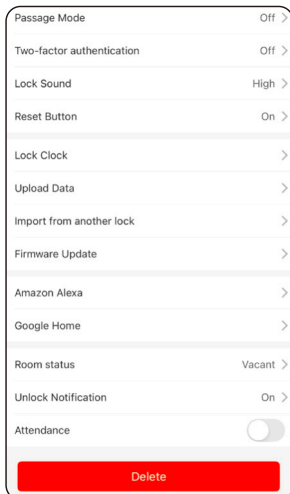
2.7 Passage mode

Under the lock setting, you can tick **"Passage mode"**, under this setting the KEYSAFE will be in always open state, you can disable the passage mode in the App.



Reset KEYSAFE

In settings you can factory reset the KEYSAFE by clicking the red **"delete"** button. When prompted for your password this is the password that was set for the McGrath Locks APP not the KEYSAFE. If successful the default pin code of 123456 will be reinstated and all previous settings and users deleted.



GATEWAY

Gateway type



G2(Wi-Fi)
Network: 2.4GWifi



G3/G3P(PoE)
Network: RJ45



G4(4G)
Network: LTE (4G)

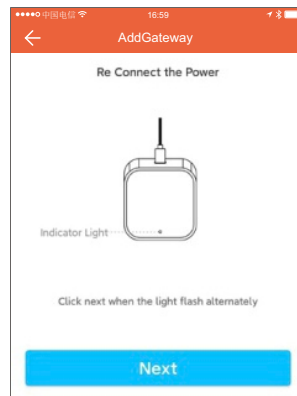


G5(Wi-Fi)
Network: 2.4G/5GWifi



ADD GATEWAY

1. Open the McGrath Locks app and log in to your administrator account.
2. Tap the menu icon () in the top left corner of the home screen.
3. Select "Gateway" from the sidebar menu.
4. Tap the "+" symbol in the top right corner.
5. Choose your gateway model from the list provided.
6. Connect the gateway to power, While the light is alternatively flashing red and blue, press the "+" symbol.
7. Select the network required, enter the Wi-Fi password, enter the gateway name,



Notice: If the process times out, please disconnect from power and try again.

***Gateway coverage distance: 10 meters without obstruction**

Gateway functionality

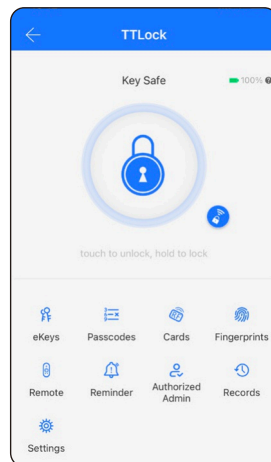
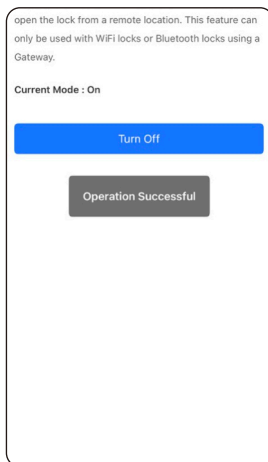
The gateway is an accessory for the lock that connects it to the network. With a gateway connected you can remotely manage the lock, such as opening the door or deleting a passcode.

GatewayFunctions

	Without Gateway	With Gateway	
Assign random pin codes	✓	✓	The door lock can function normally without a gateway. However, to remotely modify or delete pin codes, issue fingerprints or cards, open the door remotely and access other features, a gateway is required.
Door Opening with App	✓	✓	
Set permissions	✓	✓	
Remotely modify and delete pin codes	✗	✓	
Remote card issuance	✗	✓	
Open door remotely	✗	✓	
Upload door records log in real time	✗	✓	

Remote unlock

Turn on remote unlock function In the lock settings tab as per below photo. To remote lock and unlock you then use the small blue round symbol next to the large padlock.



Troubleshooting FAQ

Can I use my fingerprint upon first powering the KEYSAFE?

After finishing installation and powering the KEYSAFE for the first time it will accept any fingerprint to unlock the KEYSAFE until you configure the safe with the **McGrath locks APP**.

What kind of battery is required?

The KEYSAFE is recommended to be powered with 4 x AAA Alkaline batteries of good quality.

Does the KEYSAFE auto lock?

The KEYSAFE will auto re-lock after 5 seconds, closing the front panel after this time will lock the KEYSAFE.

I wish to give the KEYSAFE to my friend, how can they add the device with their mobile?

You need to remove the KEYSAFE from your **McGrath locks APP** by clicking the red "Delete" tab in settings or factory reset using the instructions on the next page.

Is it possible to remotely unlock my door?

Yes it is however you must ensure the KEYSAFE is connected to a recognised Gateway.

The batteries have gone flat in my KEYSAFE, what can I do?

Insert the override key in the cylinder and turn or connect a power bank via the USB-C slot for an emergency open.



A.

Remove the silicone plug.

B.

Insert the key into the keyhole and turn it clockwise.

C.

Pull to open the shell to unlock.



Smart KEYSAFE User Manual

www.mcgrathsmartlocks.com.au



DOWNLOAD & INSTALL