



# WINDSOR Elegant & Compact Smart Lock

Effortlessly contemporary, this smart lock pairs a stunning tempered glass screen with a compact, feature-rich design for seamless everyday access.



[mcgrathlocks.com.au](http://mcgrathlocks.com.au)



## Access Just Got Smarter

The WINDSOR by McGrath Smart Locks is an Australian-engineered 4-in-1 Smart Lock, available exclusively in the UK and Ireland. It delivers keyless entry through PIN codes, RFID access cards or tags, and Bluetooth-enabled eKeys, all managed conveniently through the McGrath Smart Locks App. A mechanical key override is also included for reliable backup entry.

Supplied with an adjustable tubular latch, the WINDSOR is compatible with most common Australian commercial mortice locks. For added flexibility, a Wi-Fi gateway can be integrated for remote access, with everything controlled through the McGrath Smart Locks App.

Built to withstand the elements, the external handle carries an IP65 weather rating, making it a durable and dependable access control solution across a wide range of applications.



**Bluetooth**



**PIN Code Unlock**



**RFID Unlock**



**Key Override**



**Wi-Fi (Gateway required)**

# Features



## Works with the McGrath Locks App

Provides the ability to manage all lock settings and users including eKeys, PIN code, RFID card/fobs.



## Types of access

- Bluetooth (when operated with McGrath Locks App)
- PIN code (Permanent, timed, one-time, custom, recurring)
- RFID (Permanent, timed, recurring)
- eKeys (Timed, permanent, one-time, recurring)
- Mechanical key override
- Wi-Fi (Remote unlock through McGrath Locks App with installation of additional Gateway accessory)



## Security features

- Anti-peep PIN code
- Incorrect attempt lock-out
- Reset button disable



## Battery life

18 months (based on 10 uses per day)



## Trade-grade smart lock



## Maximum compatibility

Including dormakaba MS2602 mortice lock



## Water, dust and salt spray resistance

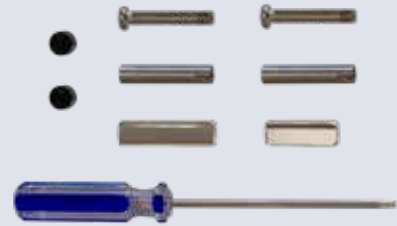
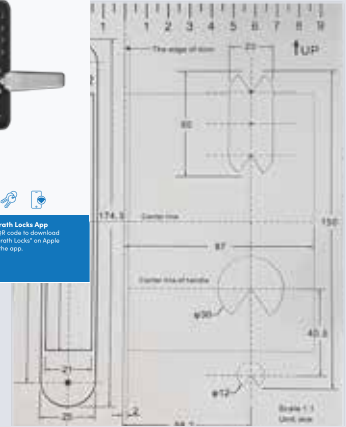
- IP65 withstands showers and water jets
- Tempered glass screen
- 300 hour salt spray tested for black finish
- 96 hour salt spray tested for satin nickel finish

# Technical Specifications

Hardware	
Colour	Matt black or satin nickel
Type	Timber door, aluminium door
Door thickness	35mm-54mm
Durability test	300,000 cycles
Material	Aluminium alloy, tempered glass screen
Spindle size	8mm
Lock case dimensions	184mm (H) x 76.3mm (W) x 25mm (D)
Enrolment and Verification	
Unlocking method	PIN code, RFID credential (Mifare), Bluetooth, WIFI (Gateway required), mechanical key
Support system	Android - 4.3 /IOS 7.0 and above
Platforms	TTLock, TTHotel
App	McGrath Locks
Communication mode	Bluetooth 5.0 BLE and above
Lock Features and Functions	
Length of password	4-9 Digits (Minimum of 4 digits available when set via app)
Passage mode	Yes
Bluetooth capacity (eKeys)	Unlimited
PIN code capacity	250 codes (Some exceptions may apply)
RFID capacity	1000 (Some exceptions may apply)
Emergency opening	Mechanical key override, USB-C (Power bank)
Batteries	4 x AA Alkaline batteries (Not included)
Stand-by power consumption	<30mA
Lock type	Tubular latch or mortice lock
Unlock time	1.5s
Motor working current	Less than 200mA
Card working frequency	13.56MHz
Battery life	18 months (Based on 10 uses per day)
Battery voltage	4.5V-8V
Low battery warning voltage	Lower than 4.6V
Operating Environment	
Environment	-20°C to 70°C
Humidity	0% - 80% RH
IP class	IP65 on external lock housing
Warranty	
	<b>24 months</b>



# What's in the box





# Made for Aussie Living, Aussie Style, Aussie Quality.

Access Just Got Smarter  
with Aussie Designed Solutions

McGrath Smart Locks  
Australia  
[mcgrathlocks.com.au](http://mcgrathlocks.com.au)



SCAN TO DOWNLOAD THE APP